

LINX News

RIPE53

Mike Hughes <mike@linx.net>

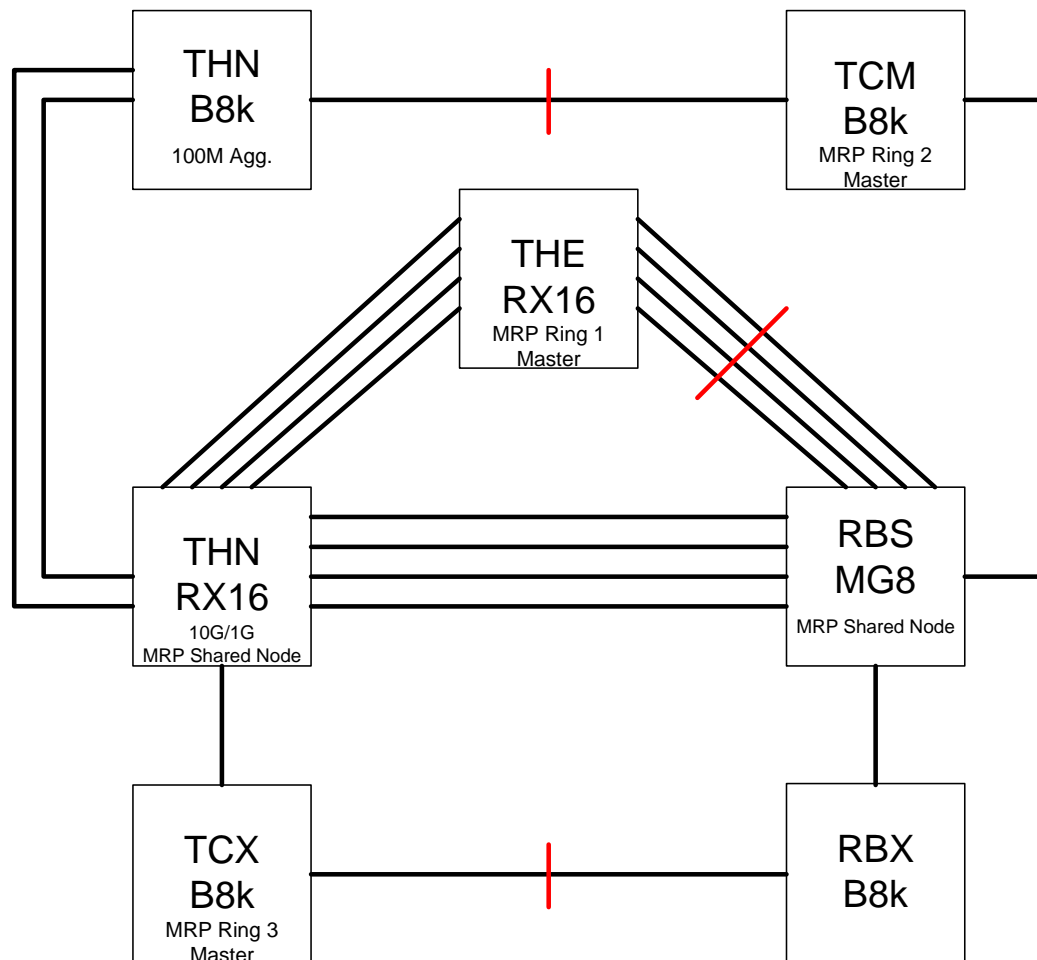
Exchange Status Overview

- 230 Members
- Traffic-based fee element was dropped this summer
 - ◆ Back to membership fee & port-based model
- Over 100G/sec now switched across the two switch fabrics
 - ◆ 28 member 10G ports provided
 - ◆ Double that number in 10G interswitch ports

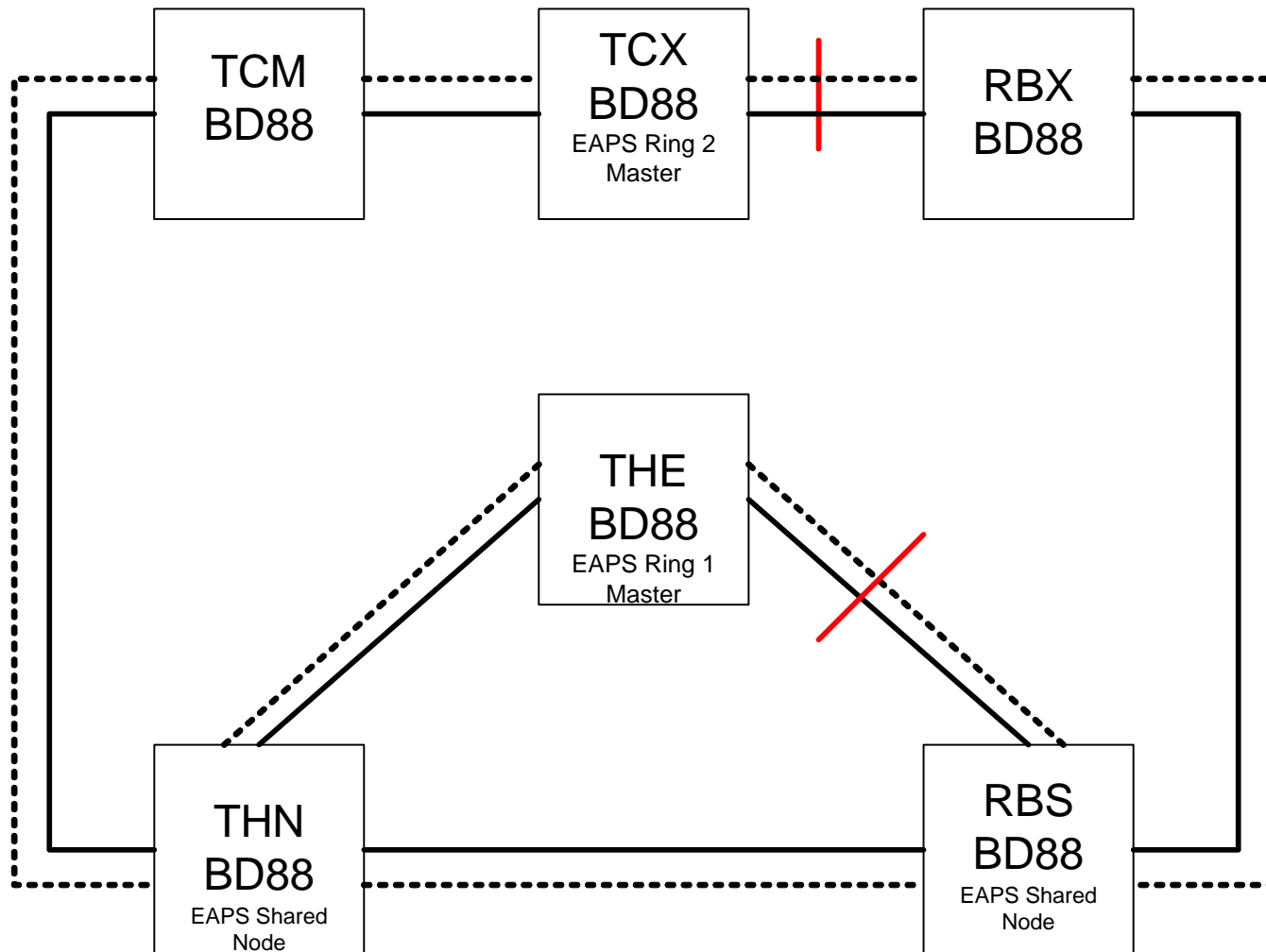
Heavy Network Maintenance

- Completed upgrades of both platforms
- Heavy maintenance period May/June/July
- Extreme network
 - ◆ Completed replacement of all BD6800 series with BD8800 switches
- Foundry network
 - ◆ Installed two Foundry RX16 switches
 - ◆ Upgraded software on all other switches
- Carried out backbone reconfigurations
- Highly concentrated – multiple slots each week

Foundry Network Diagram



Extreme Network Diagram



Cable Management Challenges

- Big chassis like RX16 pose cable management challenges
- We designed two management jigs and had them fabricated



Cable Management Challenges

- Big chassis like RX16 pose cable management challenges
- We designed two management jigs and had them fabricated



Ongoing work in 2006

- sFlow
 - ◆ Continue and complete work in this area
- Multicast
 - ◆ Increase in multicast interest in the UK
 - ◆ IPTV delivery (e.g. BBC, plus others)
 - ◆ Activate PIM snooping on Multicast VLAN
 - Collapse separate multicast switch onto main Foundry platform
 - Deploy Extreme multicast VLAN

Forthcoming Events/Meetings

- **LINX 55 EGM**
 - ◆ 20th November, London
 - ◆ For discussion and approval of 2007 budget
- **European Peering Forum**
 - ◆ 29th/30th November, Frankfurt
 - ◆ In association with AMS-IX and DECIX
- **UKNOF 5**
 - ◆ 26th October, London

Plans for 2007

- Further expand networks inline with demand
 - ◆ Applies especially to Extreme network
- Replace all Foundry JetCore hardware
 - ◆ Provides for easier network management
- Develop and strengthen transport network
 - ◆ Facilitate easier intersite PNI
 - Important given 100G is some way off...

Questions?
