



SFINX Update

Sabine Jaume-Rajaonia

SFINX manager
jaume@renater.fr





SFINX key figures

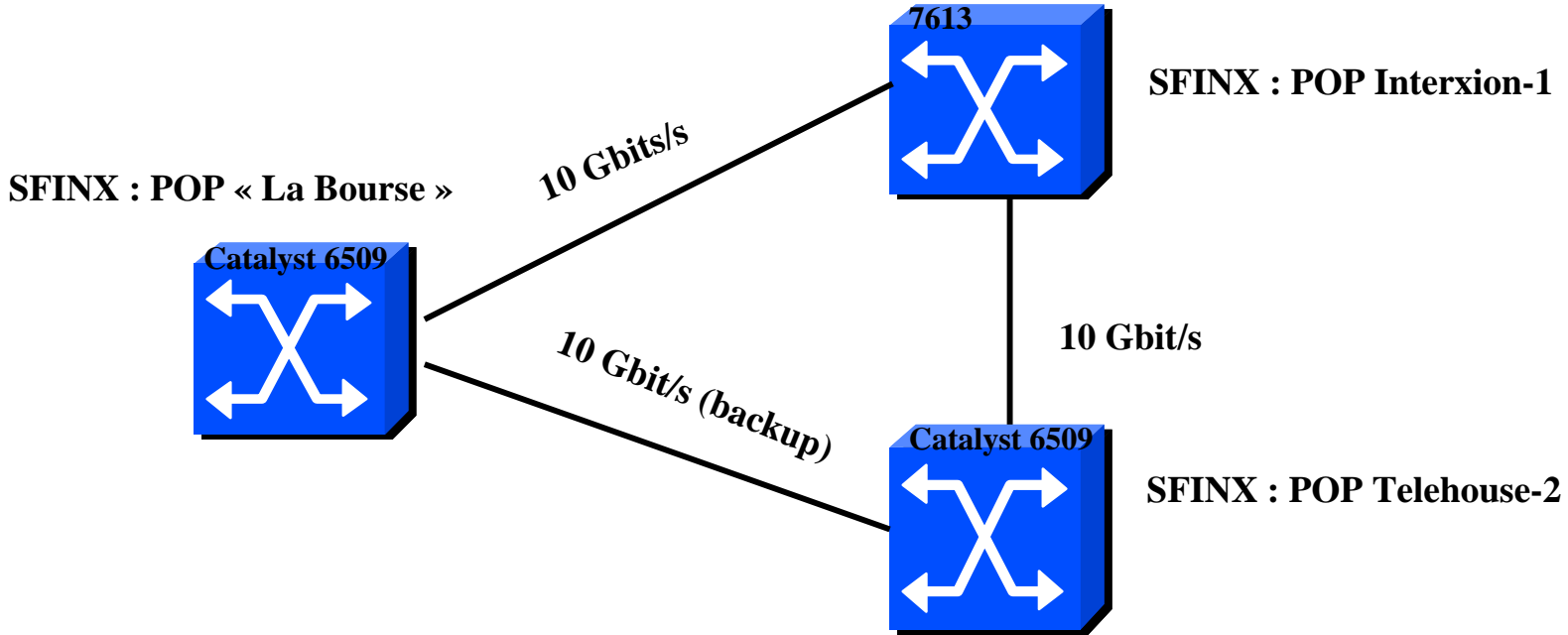
- **Launched in 1995**
- **56 ISPs**
- **2 anycast root servers (F and M)**
- **3 POPs -> 2 POPs**
 - Change in RENATER's core architecture
 - Relocation in INTERXION premises





SFINX architecture

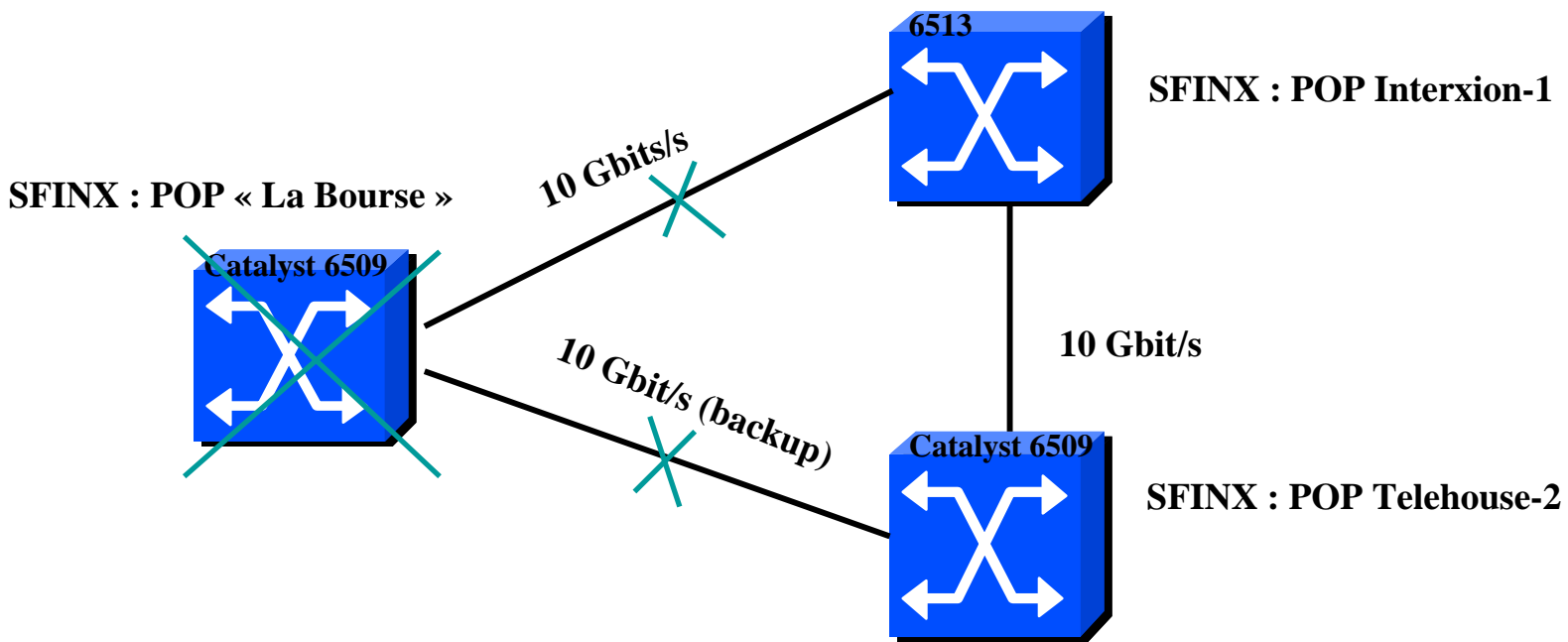
June 2005





SFINX architecture

January 2006





SFINX services

- . Secondary DNS Service:
- . IPv6 peering with RENATER
- . Access to statistics
- . Route collector service (compulsory when DIRECT SFINX connection)
- . NTP Service
- . VLAN Service
- . Multicast
- . Ports : 10/100 Base T , Gigabit , 10 Gigabit (XENPAK LR)





Who can you reach?

- for contracts: Mrs Deponthieu Elisabeth
deponthieu@renater.fr
- for technical issues: Mr Smail El Harnani
smail@renater.fr

